

Super chipmunk



Thank you very much for purchasing our product.

Radio: 4channels 5servos

Engine: 2c-46 4c-60

Specifications

Wing span	63in/1600mm
Fuselage length	39.6in/1008mm
Flying weight	2800g
Wing area	38.9sq dm

Warning! This model is not a toy.

It is designed for maximum performance. Please seek advice if one not familiar with this kind of engine powered precision model. Operating this model without prior preparation may cause injuries. Remember, safety is the most important thing. Always keep this instruction manual at hand for quick reference.

Super Chipmunk

INDEX

BEFORE YOU BEGIN P. 1
 PARTS LIST P. 2-P. 3
 ASSEMBLY P. 4-P. 10
 SAFETY PRECAUTIONS P. 10

BEFORE YOU BEGIN

- ① Read through the manual before you begin , so you will have an overall idea of what to do.
- ② Check al prts. If you find anky defective of missing parts contact your local dealer.
- ③ Symbols used throughout this instruction manual comprise of the following:



Apply epoxy glue.



Apply instant glue
(C. A. glue, super glue.)



Assemble left and right
Sides the same way.



Ensure smooth non-binding
movement while assembling.



Peel off shaded portion
Covering film.



Cut off shaded portion.



Drill holes with the specified
Dameter (here: 3mm)



Must be purchased separately!



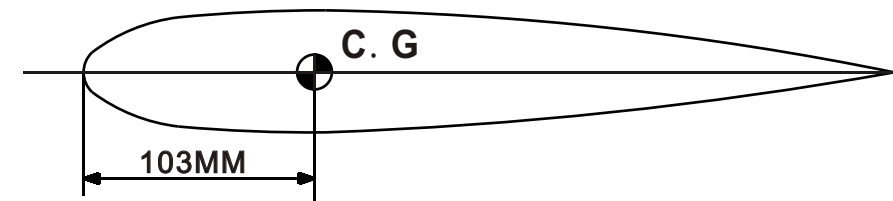
Pay close attention here!



Do not overlook this symbol!

16 C. G

The ideal C.G. position is 103mm behind the leading edge. In order to obtain the C.G. specified ,add weight to the fuselage if required. Check the C.G. before flying.



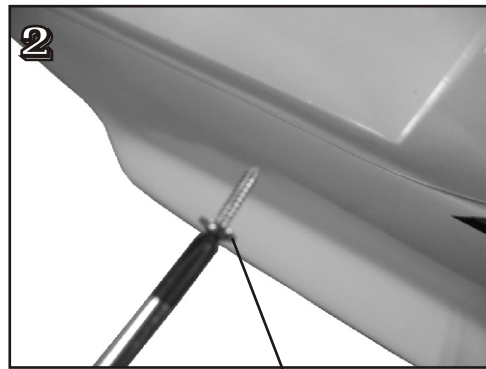
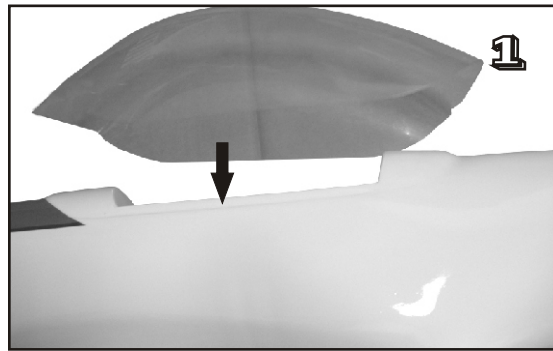
! Warning

Important Safety Precautions

- #First time flyer shoud never fly by himself/herself. Assistance from experienced flyer is absolutely necessary.
- #Pre-flight adjustment must be done before flying, it is very dangerous to fly a badly Pre-adjusted aircraft.
- #Katana is designed to be powered by 100 C. C out brush less electric motor. using a more powerful engine does not mean better performance. In fact, over powered engine may cause structural damage and injuries.
- #Make sure the air field is spacious, never fly the plane too close to people and never get too close to a running propeller.
- #If you find wrinkles on the covering as a result of weather changes, you can use hot iron to remove the wrinkles. Please begin with lower temperature setting and gradually raise the temperature until the wrinkles are gone. Too hot an iron may damage the covering.
- #Check and re-tighten up all factory assembled screws, use thread locker if applicable.

13 Canopy

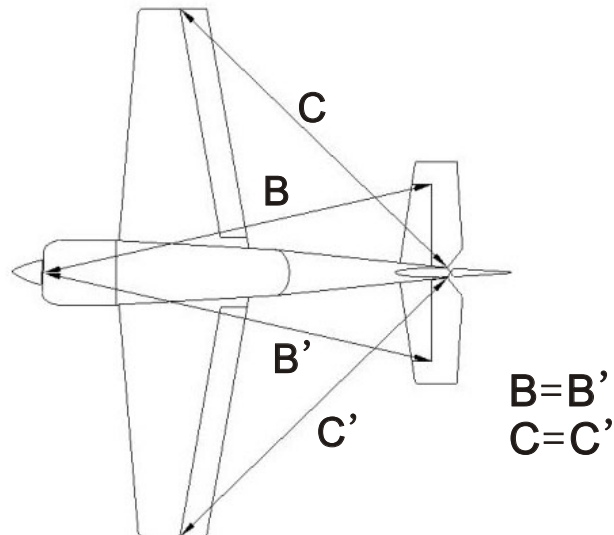
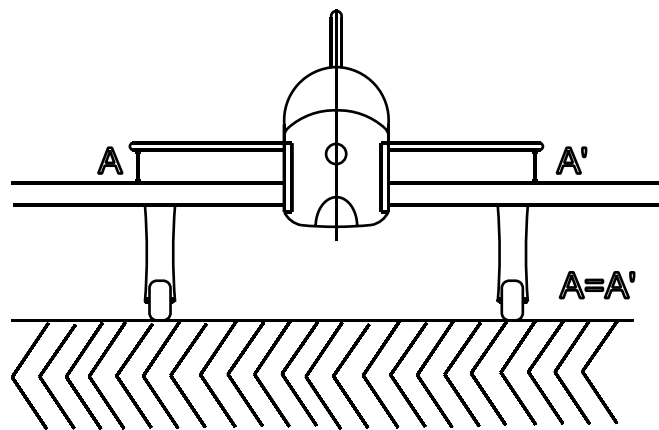
PWA2.3 X8mm
6



PWA2.3 X8mm

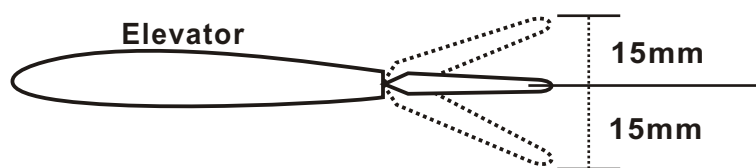
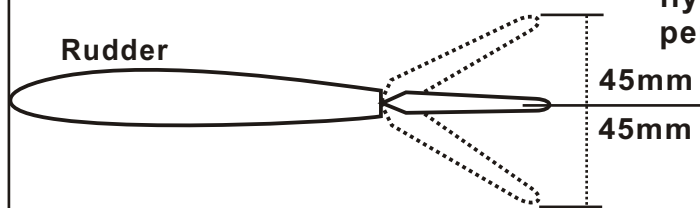
14 C. G Point

Adjust the wing and fuselage configuration as in the diagrams.



15 Control Throws

Adjust the control throws as shown in the diagram. These throws are good for general flying. You can adjust according to your personal preference.

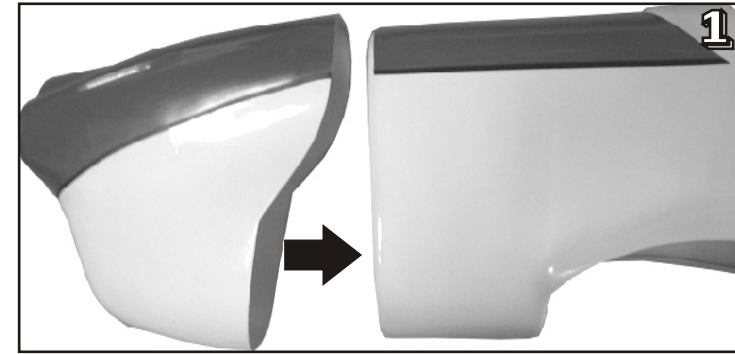


Parts List:

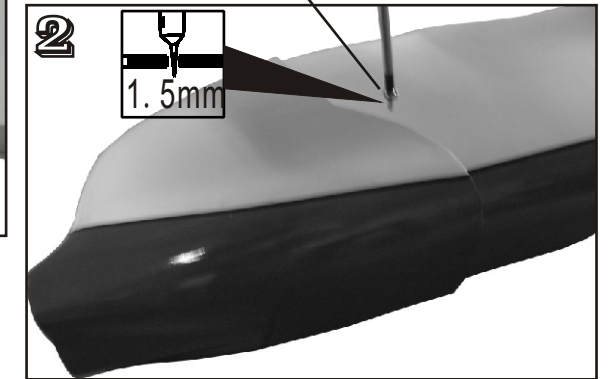
- 1.Fuselage-1pcs
- 2.Main Wing-1set
- 3.Stabilizer & Elevator-1set
- 4.Vertical Fin & Rudder-1set
- 5.Canopy-2pcs
- 6.Cowling-1pcs
- 7.Engine Mount 050-1set
- 8.Spinner $\Phi 72\text{mm}$ -1set
- 9.Engine seat mount bolt PM4 \times 25mm-4pcs
- 10.Flat washer d4 \times D9mm-4pcs
- 11.Engine mount bolt PM3.5 \times 30mm-4pcs
- 12.Flat washer d3.5 \times D8mm-8pcs
- 13.Blind Nuts M4-4pcs
- 14.Engine mount nut M4-4pcs
- 15.Round Head Screw PWA2.3 \times 8mm-4pcs
- 16.Round Head Screw PWA2.3 \times 8mm-6pcs
- 17.Screw PWA3 \times 12mm-8pcs
- 18.Metal Screw PWA2 \times 8-4pcs
19. Wheel Collar $\Phi 4.1\text{mm}$ -4pcs
- 20.Round Head Screw PWA2.3 \times 12mm-10pcs
- 21.Wing bolt PMW4 \times 20mm-2pcs
- 22.Round Head Screw Pm2 \times 16mm-6pcs
- 23.Round Head Screw PM2 \times 16mm-3pcs
- 24.Front Landing Gear $\Phi 4\text{mm}$ -1set
25. Back Landing Gear $\Phi 2\text{mm}$ -1set
- 26.Wheel Collar $\Phi 2.1\text{mm}$ -2set
27. EZ Connector (1 each throttle/steering) $\Phi 2.1\text{mm}$ -1set
- 28.Wire pushrod $\Phi 1.5\text{mm}\times 450\text{mm}$ -1pcs
- 29.Wire pushrod $\Phi 2\times 90\text{mm}$ -2pcs
- 30.Wire pushrod $\Phi 2\times 240\text{mm}$ -2pcs
- 31.Wire pushrod $\Phi 2\times 160\text{mm}$ -1pcs
- 32.Wire pushrod $\Phi 2\times 120\text{mm}$ -1pcs
33. Wire pushrod $\Phi 2\times 120\text{mm}$ -1pcs
34. Fuel Tank 248cc-1set
- 35.Clevis-5pcs
36. Nylon E/Z Link-4pcs
- 37.Nylon Arms-2set
38. Adjustable Control Horns-3set
- 39.Flat Plates-4set
- 40.Engine seat 070-1set
41. Plywood 57 \times 33 \times 2mm-1pcs
- 42.Wing bolt 275 \times 34 \times 6mm-1pcs
43. Flat Plates 150 \times 30 \times 2mm-1pcs
- 44.Wire pushrod $\Phi 8\times 450\text{mm}$ -1pcs
- 45.Wire pushrod $\Phi 8\times 450\text{mm}$ -1pcs

11 Cowling Spinner

PWA2.3 X8mm



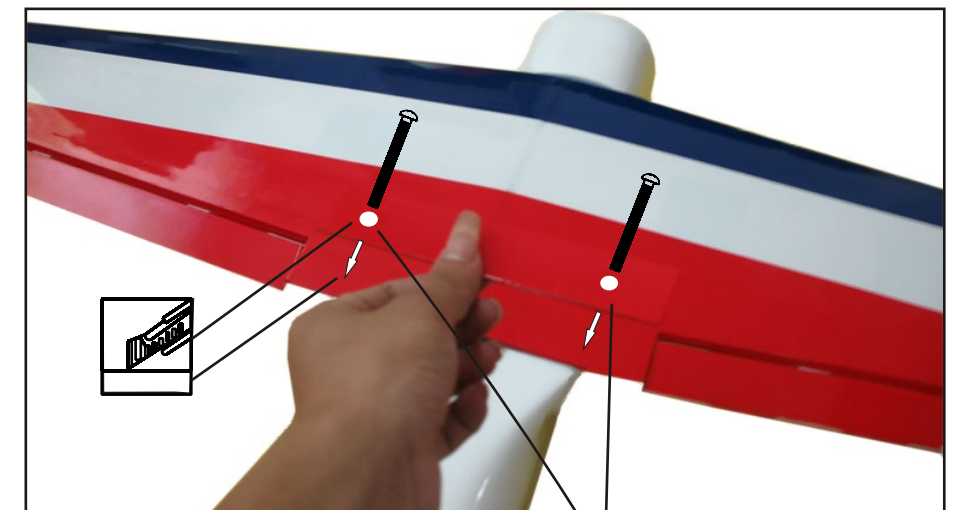
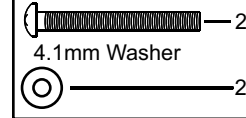
PWA2.3 X8mm



L/R

12 Main Wing (Lower)

PM4 X 20mm Screw



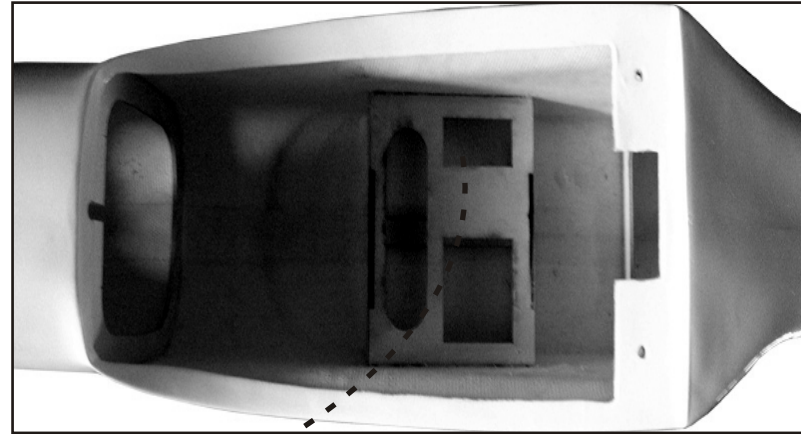
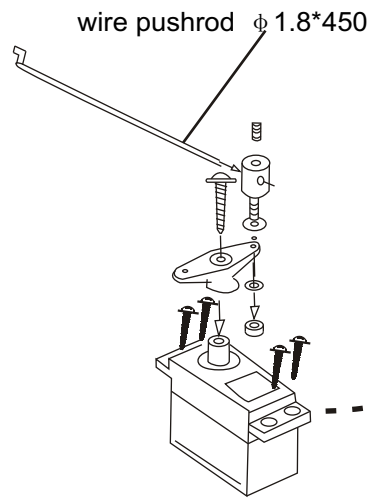
PM4 X 20mm Screw



L/R

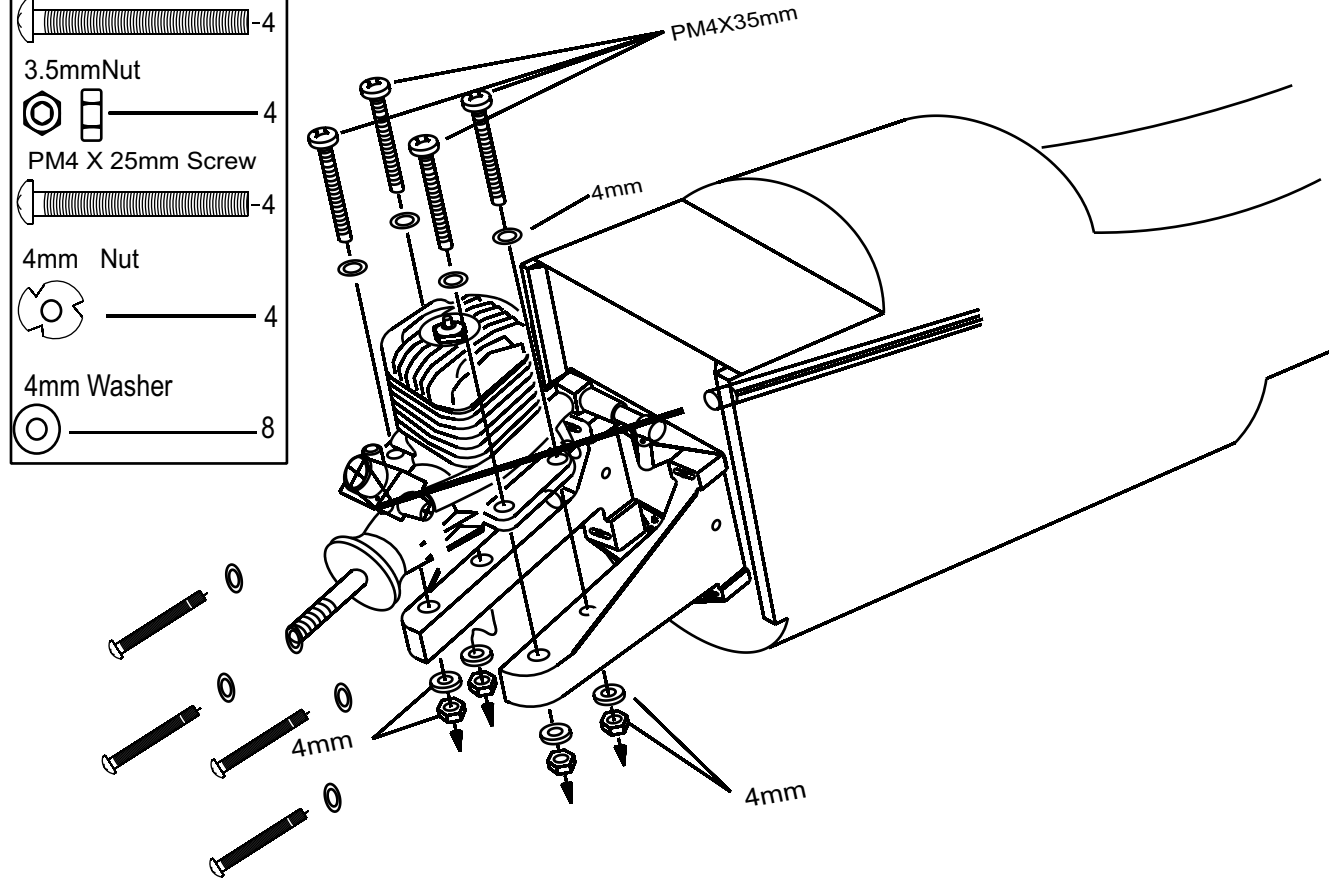
9 Throttle Servo

- Linkage Stopper — 1
- 2mm Nut — 1
- 3X3mm set screw — 1

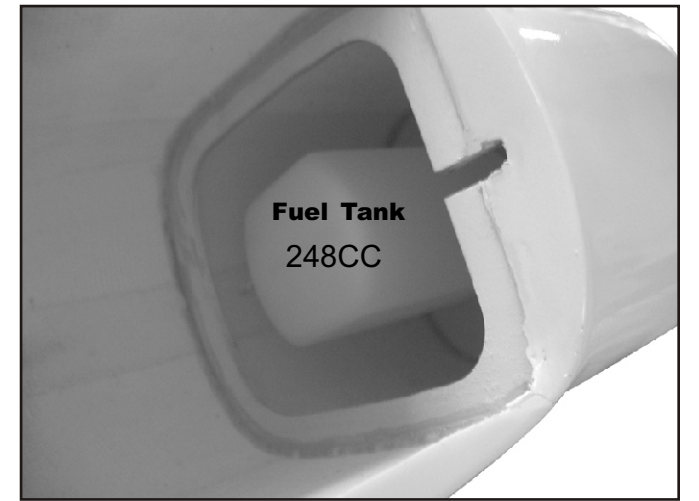
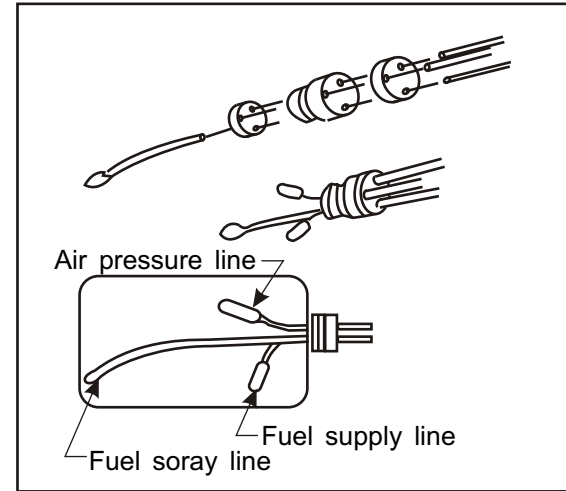


10 Engine

- PM3.5 X 35mm Screw — 4
- 3.5mm Nut — 4
- PM4 X 25mm Screw — 4
- 4mm Nut — 4
- 4mm Washer — 8

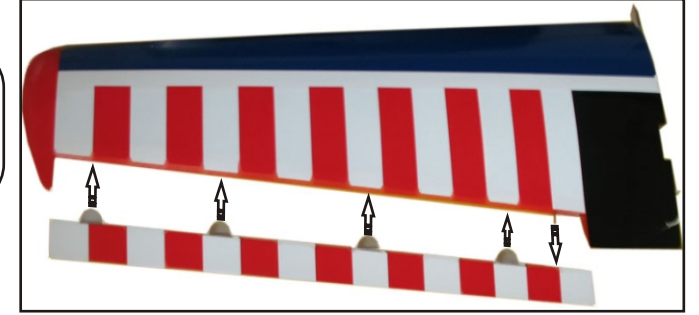
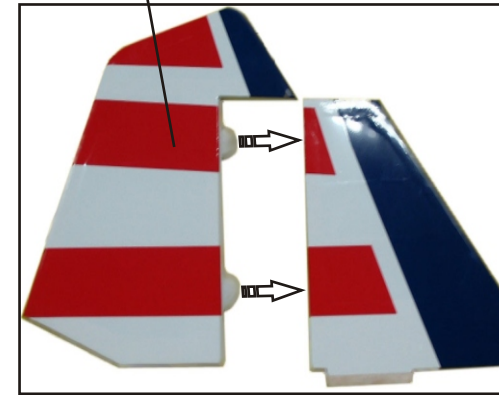


1 Fuel Tank

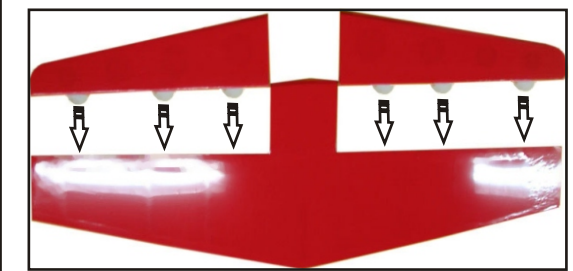


2 Gemel

Horizontal Connect

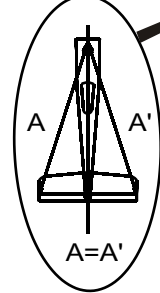
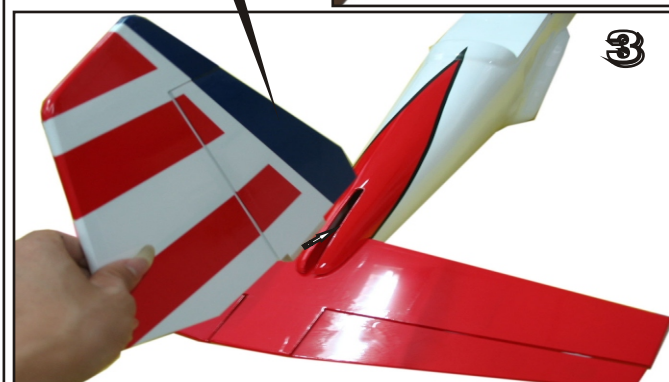
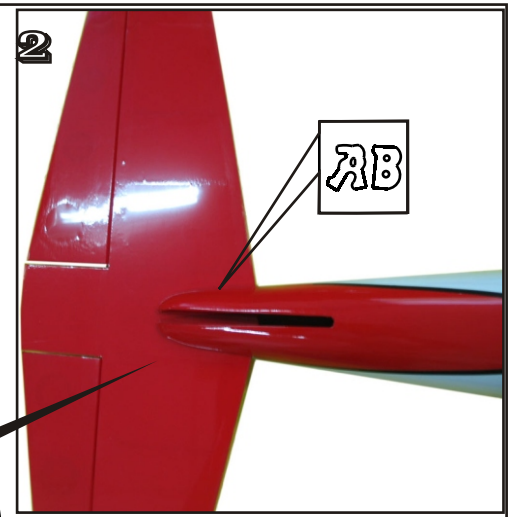
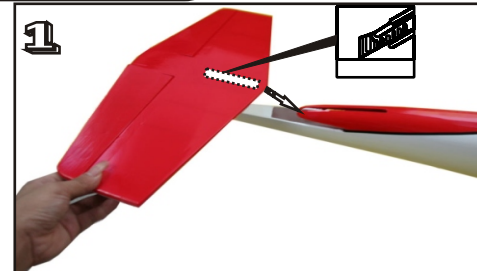
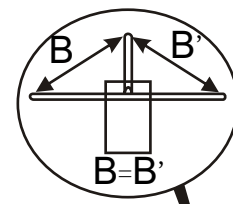


Wing



Vertical

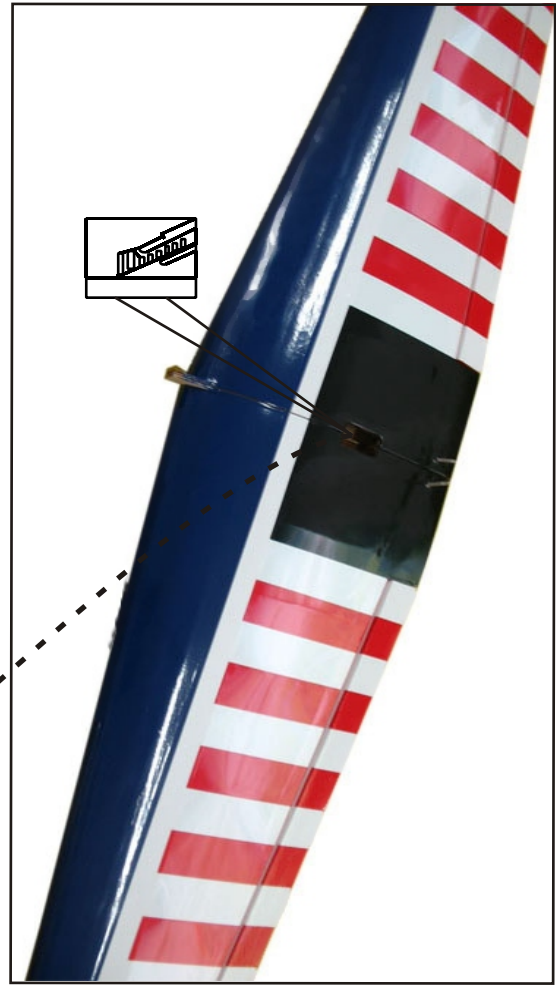
3 Stabilizer/elevator



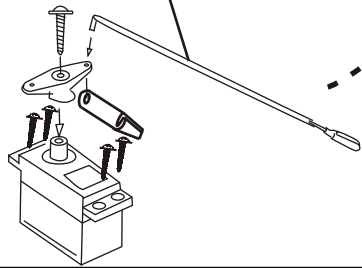
L/R

4 Wing/Servo

Adjustable Control Horn Link	— 2
Nylon E/Z Link	— 4
Rod adjuster	— 4



wire pushrod $\phi 1.8 \times 90$ 2PCS

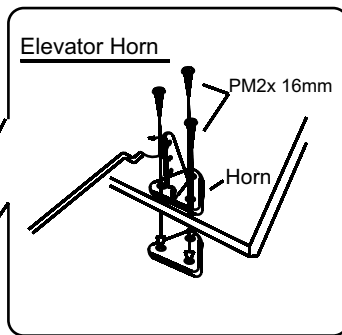
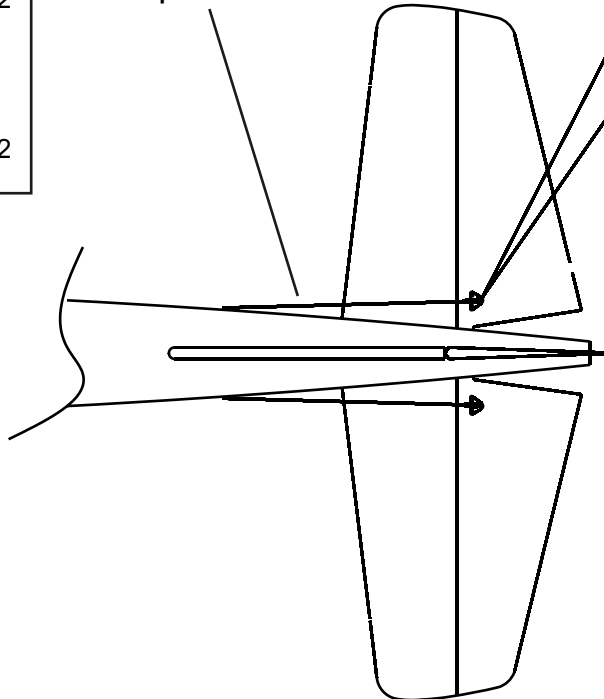


L/R

5 Elevator/Servo

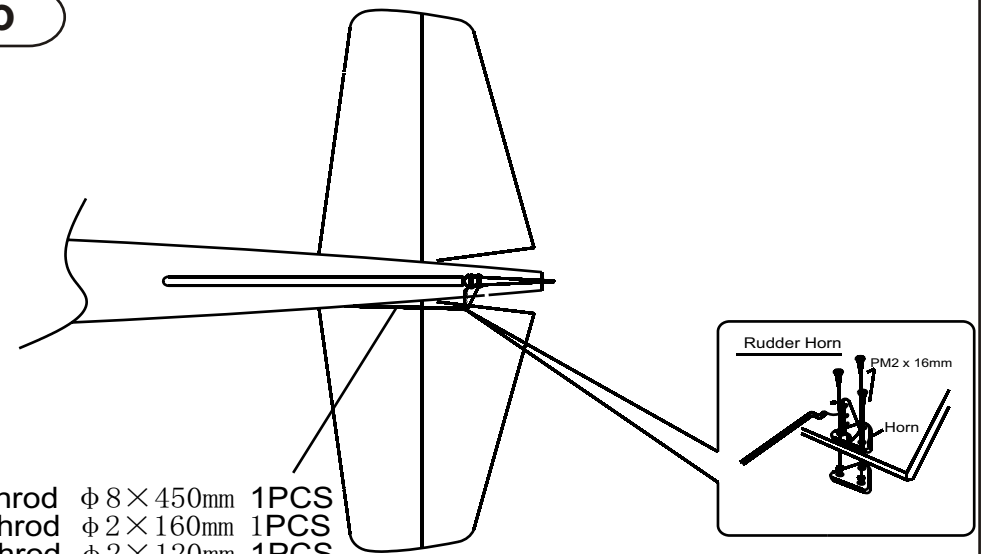
PM2X16 Screw	— 6
Nylon E/Z Link	— 1
Rod adjuster	— 2
Control horns	— 2

wire pushrod $\phi 8 \times 450$ mm 1PCS
 wire pushrod $\phi 2 \times 240$ mm 2PCS
 wire pushrod $\phi 2 \times 120$ mm 1PCS

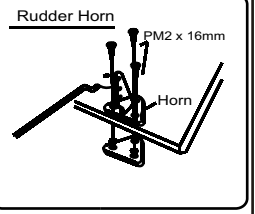


6 rudder/Servo

PM2X16 Screw	— 3
Nylon E/Z Link	— 1
Rod adjuster	— 1
Control horns	— 1

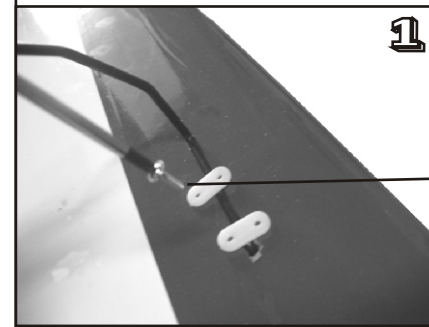
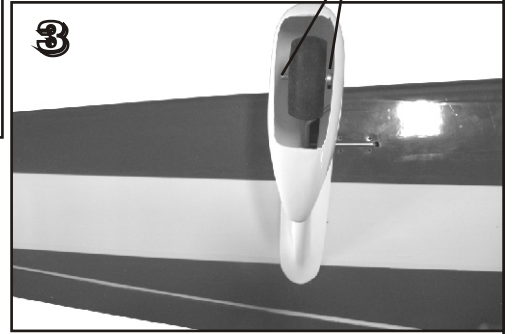
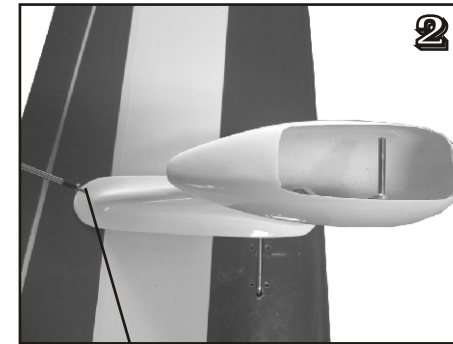


wire pushrod $\phi 8 \times 450$ mm 1PCS
 wire pushrod $\phi 2 \times 160$ mm 1PCS
 wire pushrod $\phi 2 \times 120$ mm 1PCS



7 Main Landing Gear

4. 1mm Nut	— 4
PWA2.3 X12mm	— 10
PWA2.6 X12mm	— 8
POM Plates	— 4



PWA2.3 X12mm

PWA2.6 X12mm

4. 1mm Nut

8 Tail Landing Gear

PWA2x 8mm Screw	— 4
2.1mm Wheel Collar	— 2
3x3mm Set Screw	— 2

