

J3-60



Thank you very much for purchasing our product.

Radio: 4channels 5servos
Engine: 2-cycle-61 4-cycle-91

Specifications	
Wing span	81in/2054mm
Fuselage length	49in/1243mm
Flying weight	3300g
Wing area	48sq dm

Warning! This model is not a toy.

It is designed for maximum performance. Please seek advice if one not familiar with this kind of engine powered precision model. Operating this model without prior preparation may cause injuries. Remember, safety is the most important thing. Always keep this instruction manual at hand for quick reference.

J3-60

INDEX

BEFORE YOU BEGIN P. 1

PARTS LIST P. 2-P. 3

ASSEMBLY P. 4-P. 10

SAFETY PRECAUTIONS P. 10

BEFORE YOU BEGIN

- ① Read through the manual before you begin , so you will have an overall idea of what to do.
- ② Check al prts. If you find anky defective of missing parts contact your local dealer.
- ③ Symbols used throughout this instruction manual comprise of the following:



Apply epoxy glue.



Apply instant glue
(C. A. glue, super glue.)



Assemble left and right
Sides the same way.



Ensure smooth non-binding
movement while assembling.



Peel off shaded portion
Covering film.



Cut off shaded portion.



Drill holes with the specified
Dameter (here: 3mm)



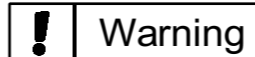
Must be purchased separately!



Pay close attention here!



Do not overlook this symbol!

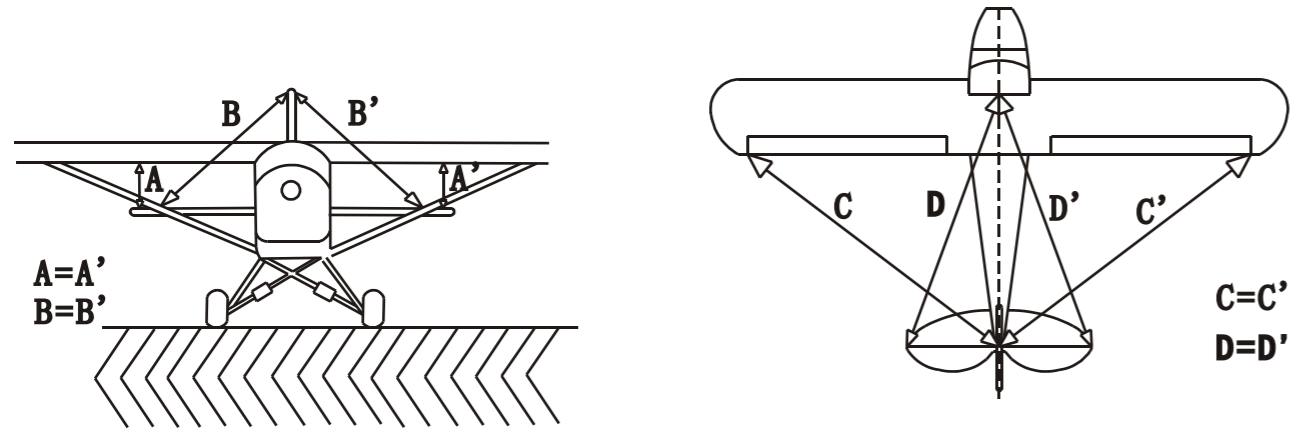


Important Safety Precautions

- #First time flyer shoud never fly by himself/herself.Assistance from experienced flyer is absolutely necessary.
- #Pre-flight adjustment must be done before flying,it is very dangerous to fly a badly Pre-adjusted aircraft.
- #Katana is designed to be powered by100 C. C out brush less electric motor.using a more powerful engine does not mean better performance.In fact,over powered engine may cause structural damage and injuries.
- #Make sure the air field is spacious,never fly the plane too close to people and never get too close to a running propeller.
- #If you find wrinkles on the covering as a result of weather changes,you can use hot iron to remove the wrinkles.Please begin with lower temperature setting and gradually raise the temperature until the wrinkles are gone.Too hot an iron may damage the covering.
- #Check and re-tighten up all factory assembled screws,use thread locker if applicable.

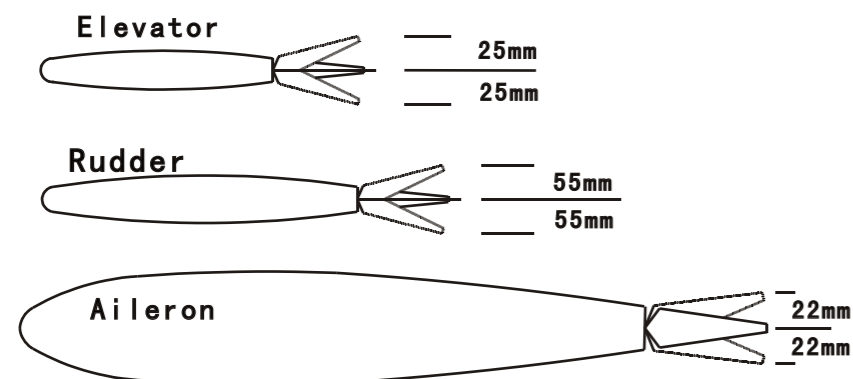
16 C. G Point

Adjust the wing and fuselage configuration as in the diagrams.



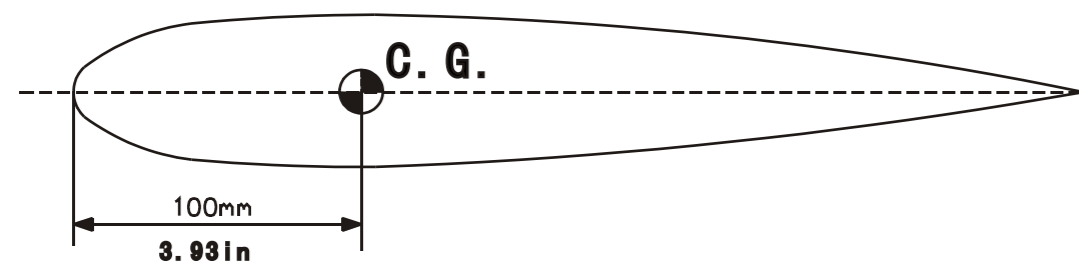
17 Control Throws

Adjust the control throws as shown in the diagram. These throws are good for general flying. You can adjust according to your Personal Preference.



18 C. G

The ideal C. G. position is 100mm (3.93in) behind the leading edge. In order to obtain the C. G. specified, add weight to the fuselage if required. Check the C. G. before flying.

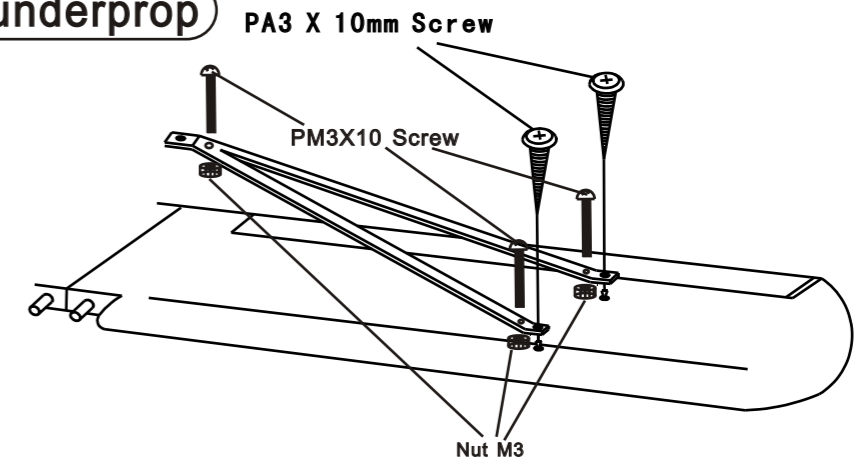


Parts List:

- 1.Fuselage-1pcs
- 2.Right Wing-1pcs
- 3.Left Wing-1pcs
- 4.Horizontal Stabilizer-1set
- 5.Vertical Stabilizer-1set
- 6.Cowl-1pcs
- 7.Canopy-1pcs
- 8.Canopy-1pcs
- 9.Wood -1set
- 10.Engine seat mount bolt PM4X25MM-4pcs
- 11.Blind Nuts M4-4pcs
- 12.Flat washer D4.1XD10-8pcs
- 13.Round Head Screw PWA2.3x8mm-4pcs
- 14.Round Head Screw PWA2.3x8mm-4pcs
- 15.Round Head Screw PA3x16mm-8pcs
- 16.Wing bolt PM5x35mm-2pcs
- 17.Flat washer D5xD12-2pcs
- 18.Round Head Screw PA3x10MM-6pcs
19. Metal Screw PA3x10MM-3pcs
- 20.Front Landing Gear ϕ 4-1set
- 21.Front Wheel ϕ 75mm-2pcs
- 22.Wheel Collar ϕ 4.1mm-4set
- 23.Mount Plate-4pcs
- 24.Back Landing Gear ϕ 2-1set
25. Front Wheel ϕ 30mm-1pcs
- 26.Wheel Collar ϕ 2.1mm -2set
27. Adjustable Control Horns -4set
- 28.Round Head Screw PM2x15MM-6pcs
- 29.Round Head Screw PM2x25MM-6pcs
- 30.Clevis ϕ 2-2pcs
- 31.Nylon E/Z Link ϕ 2 -2pcs
- 32.Small ID tubing 6mm-6pcs
33. EZ Connector ϕ 1.5MM-3set
34. Fuel Tank 450CC-1set
- 35.Engine seat 070-1set
36. Mount Plate 2MM-1pcs
- 37.Wood -1set
38. Ply Wood-4pcs
- 39.Wood -2pcs
- 40.Wood -1set
41. Wire pushrod ϕ 1.5*450MM-1pcs
- 42.Wire pushrod ϕ 1.8*120MM-2pcs
43. Wire pushrod ϕ 1.8*800MM-1pcs
- 44.Wire pushrod ϕ 1.8*800MM-1pcs
- 45.Wing bolt-1pcs
- 46.Round Head Screw PM3x10MM-6pcs
- 47.Nut M3-6pcs

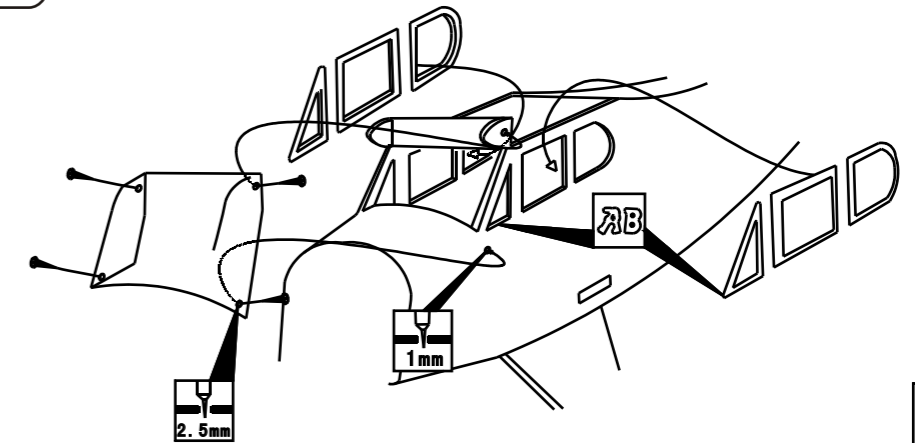
13 Aluminium underprop

PA3 X 10mm Screw	4
Nut M3	6
PM3X10 Screw	6



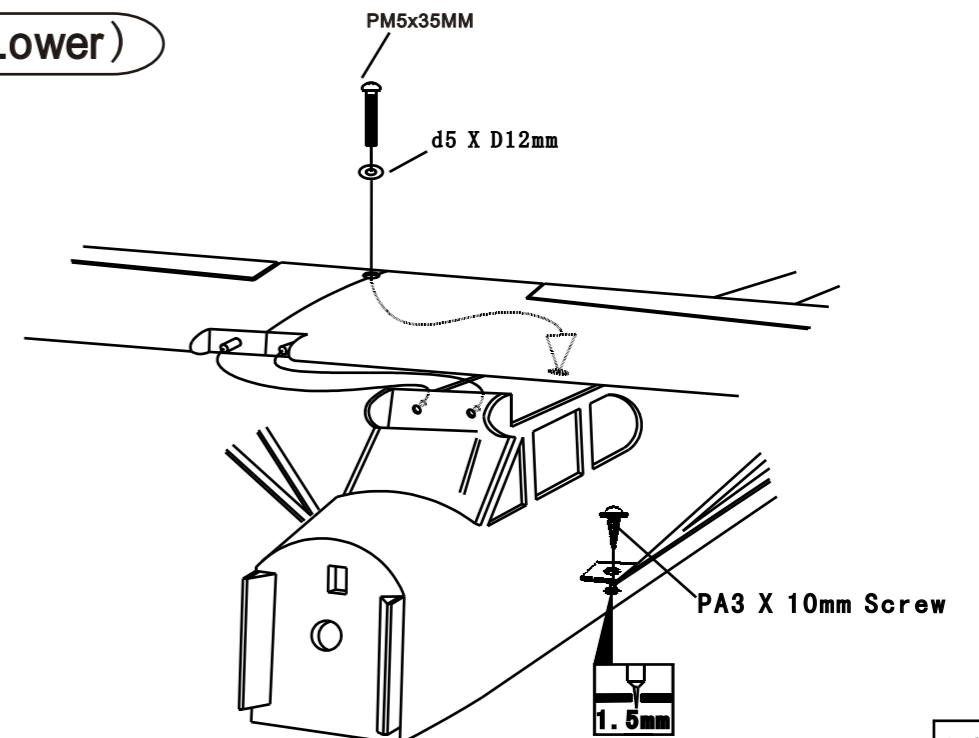
14 Canopy

PWA2.3 X 8mm Screw	4
--------------------	---



15 Main Wing (Lower)

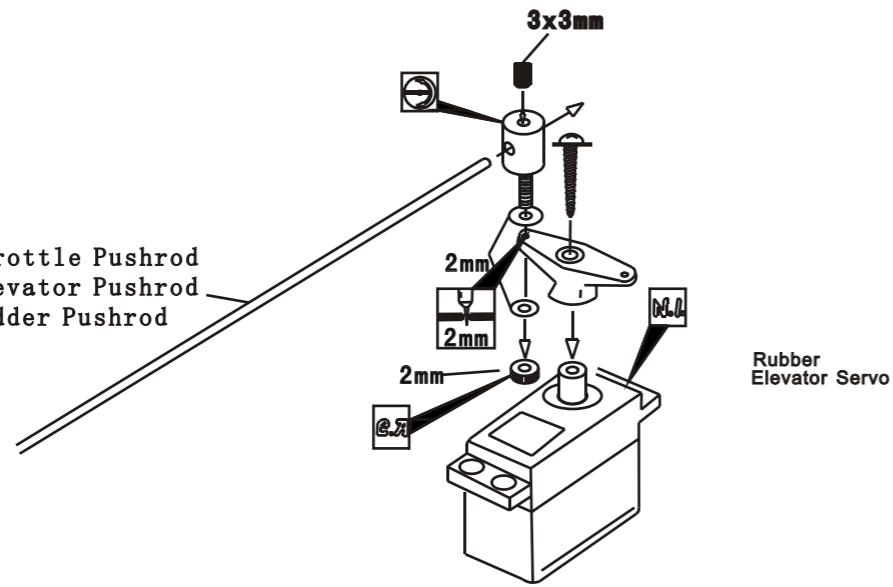
PM5x35MM Screw	1
d5 X D12mm Washer	1
PA3 X 10mm Screw	2



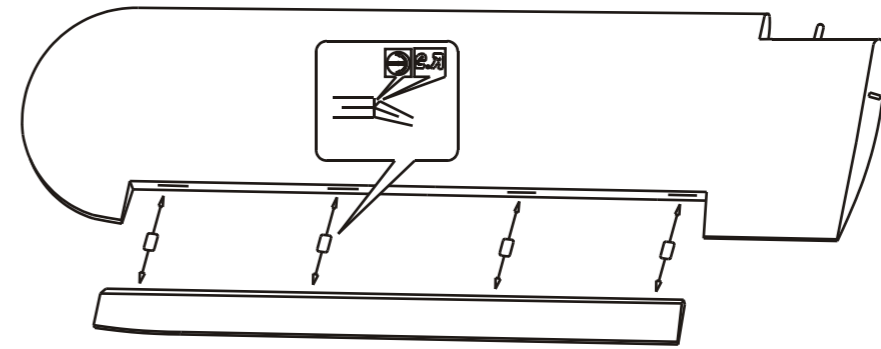
10 Servo Set

Adjuster		3
3x3mm Set Screw		3
Linkage Stopper		3
2mm Nut		3
2mm Washer		3

Throttle Pushrod
Elevator Pushrod
Rudder Pushrod



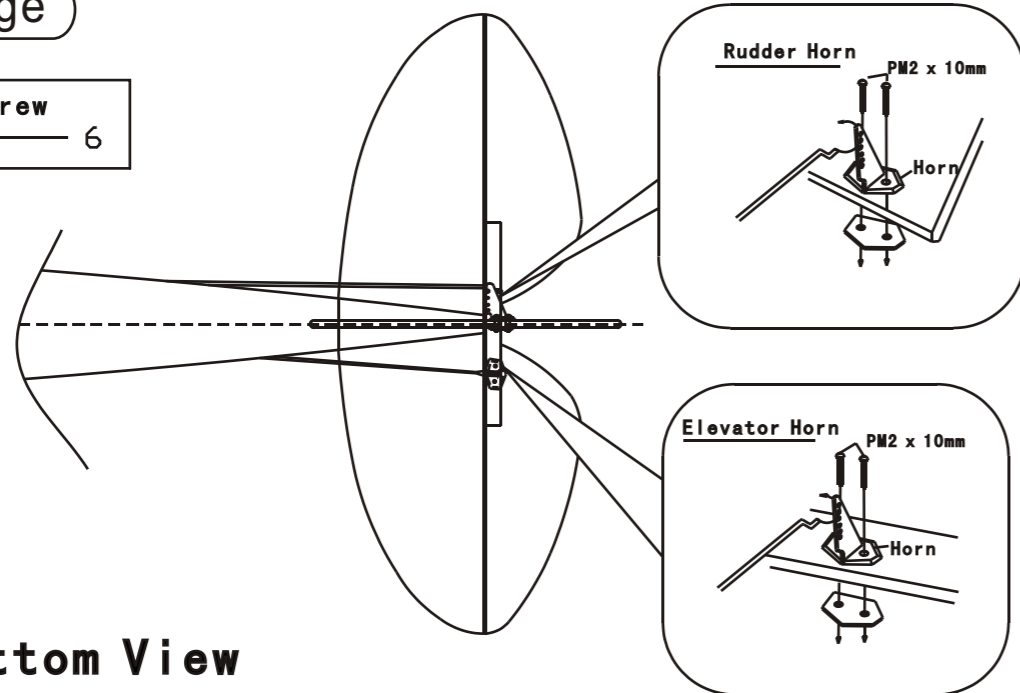
1 Aileron



L/R

11 Linkage

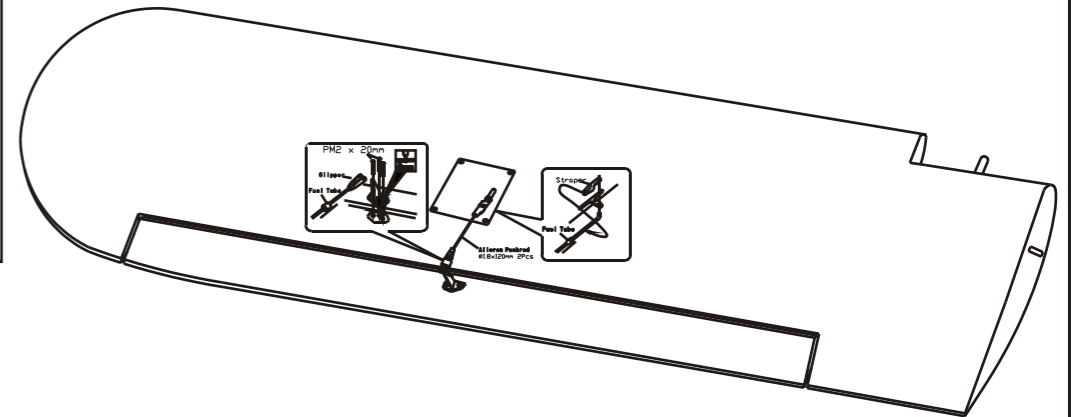
PM2 x 15mm Screw		6
-------------------------	--	---



● Bottom View

2 Aileron Servo

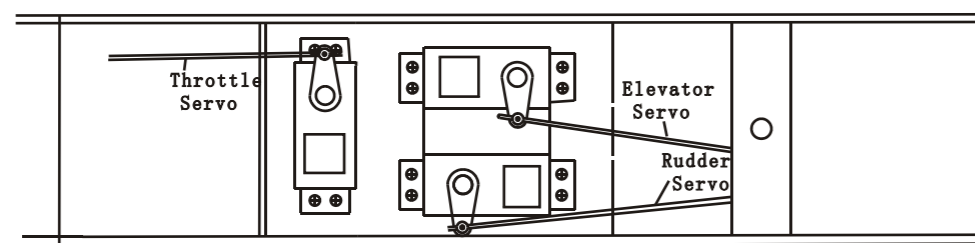
PM2 x 25mm Screw		6
Nylon E/Z Link		2
Clevis		2
Small nylon control horn		2



L/R

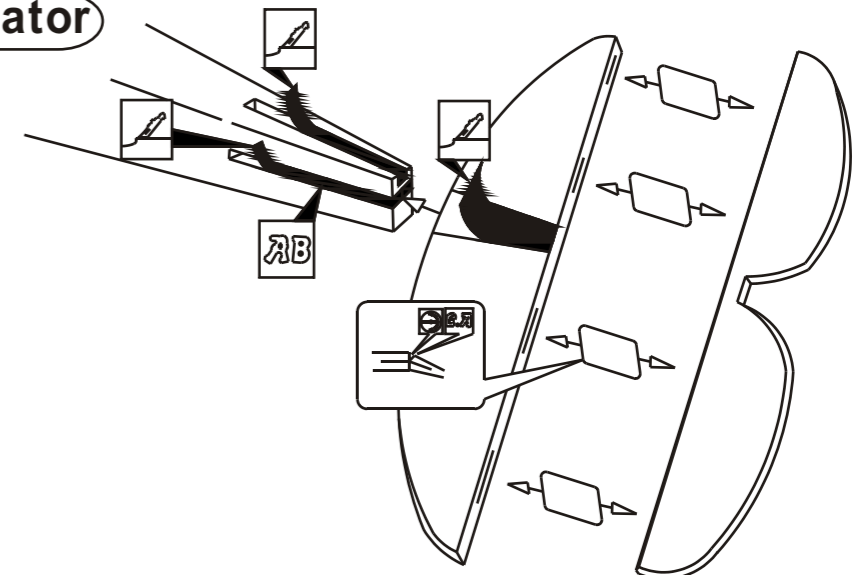
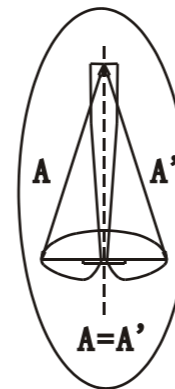
12 Radio Equipment

- Install and arrange the servo as shown in the diagram.
- Install Sponge for inserting Battery and Receiver.

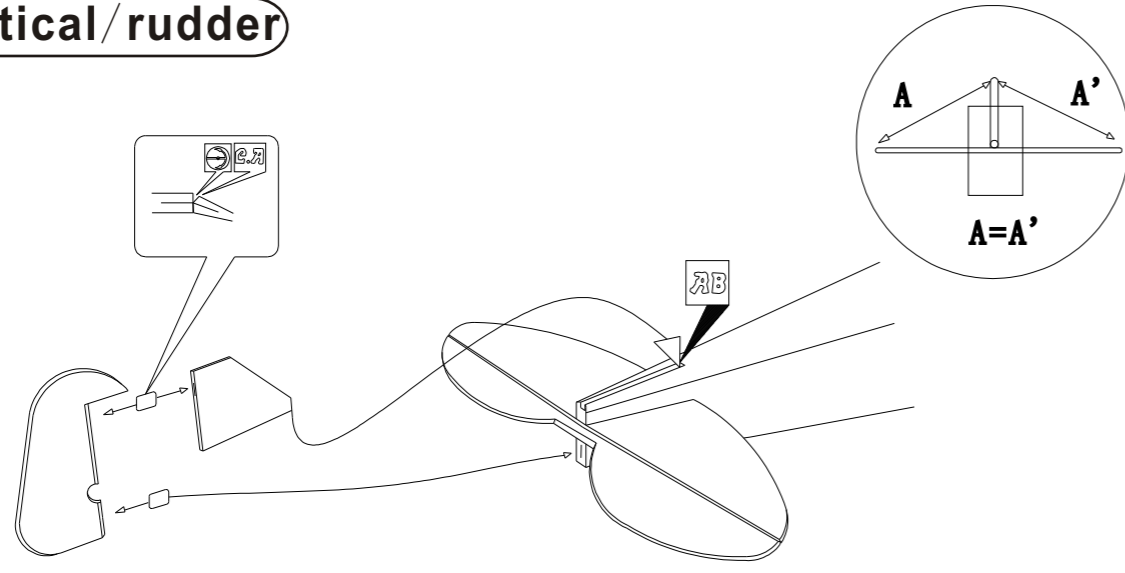


● top View

3 Stabilizer/Elevator

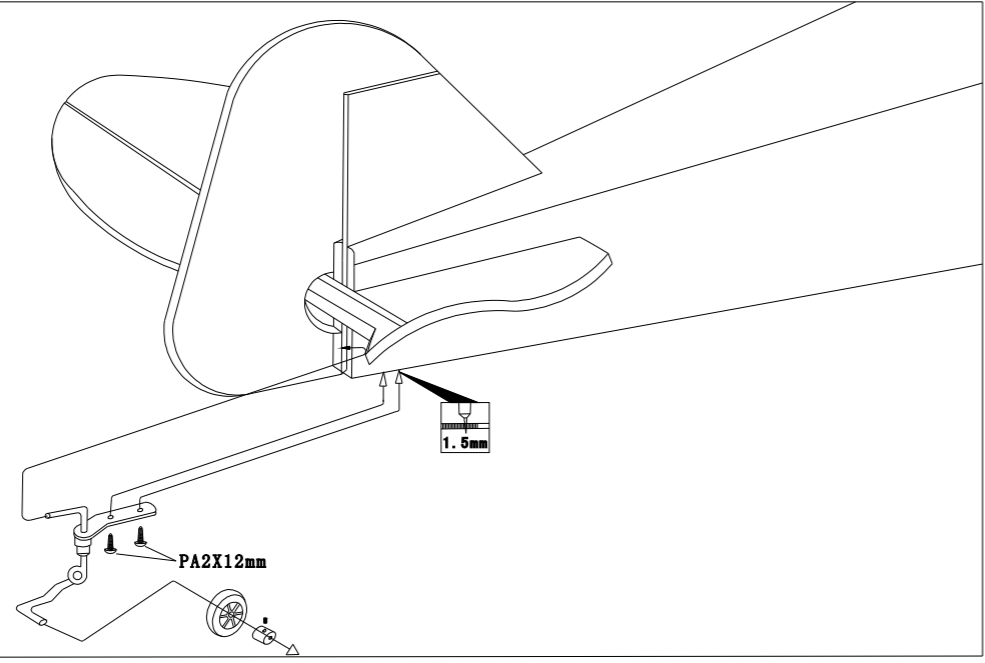


4 Vertical/rudder



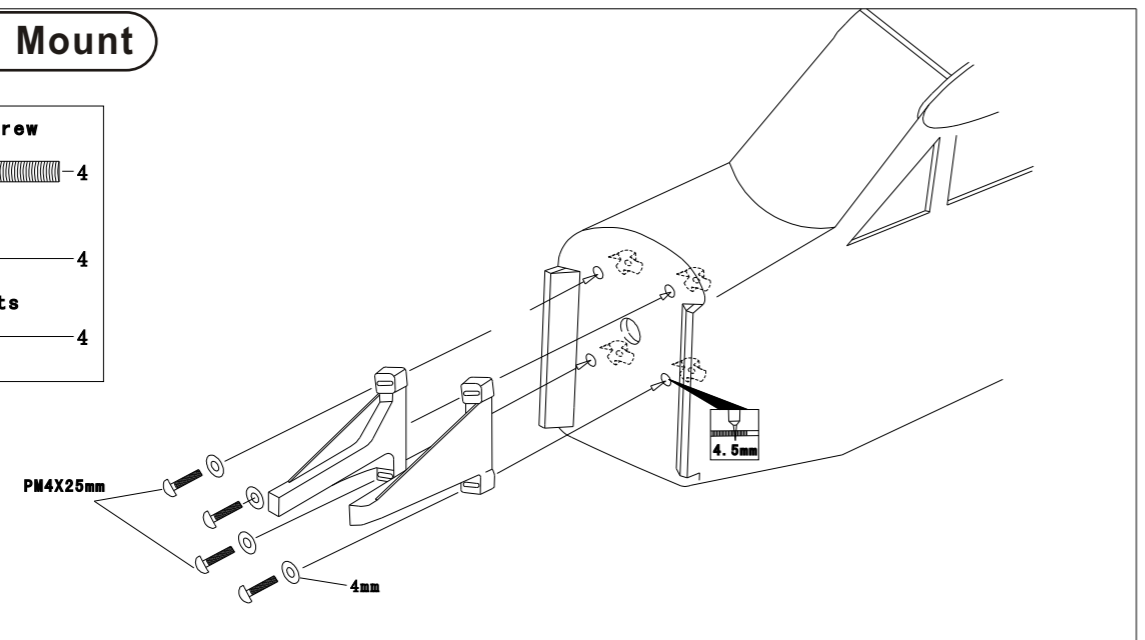
5 Tail Strap

- PA3 X 10mm Screw — 3

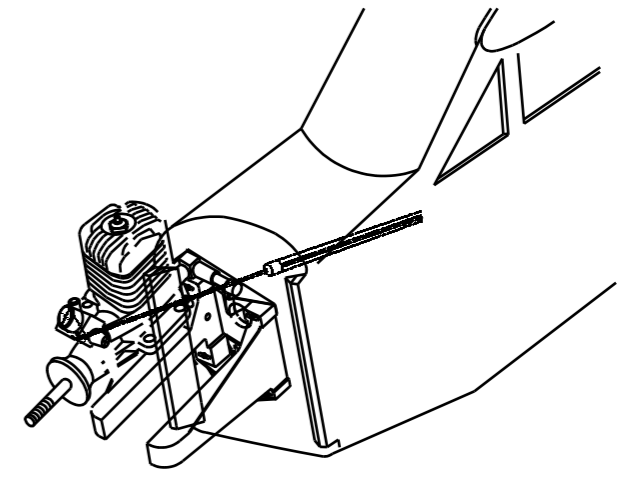
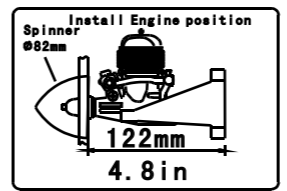


6 Engine Mount

- PM4 X 25mm Screw — 4
- 4mm Washer — 4
- 4mm Blind Nuts — 4

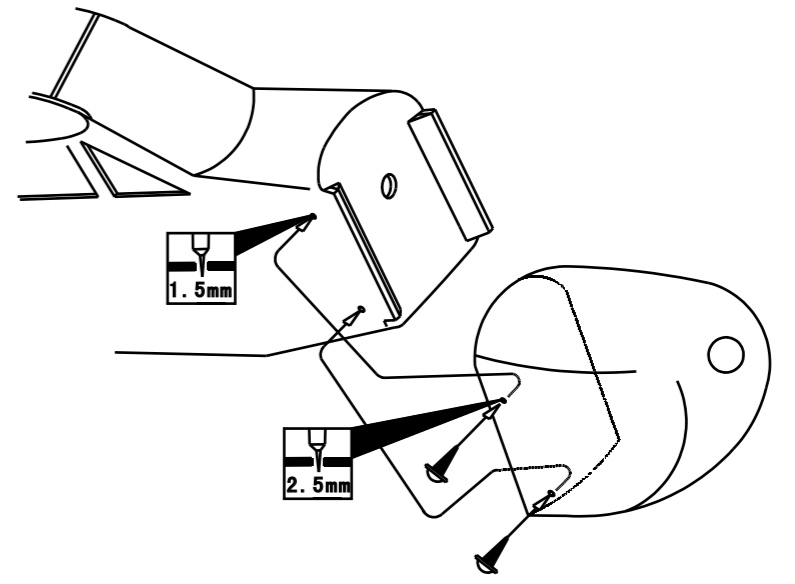


7 Engine



8 Cowling

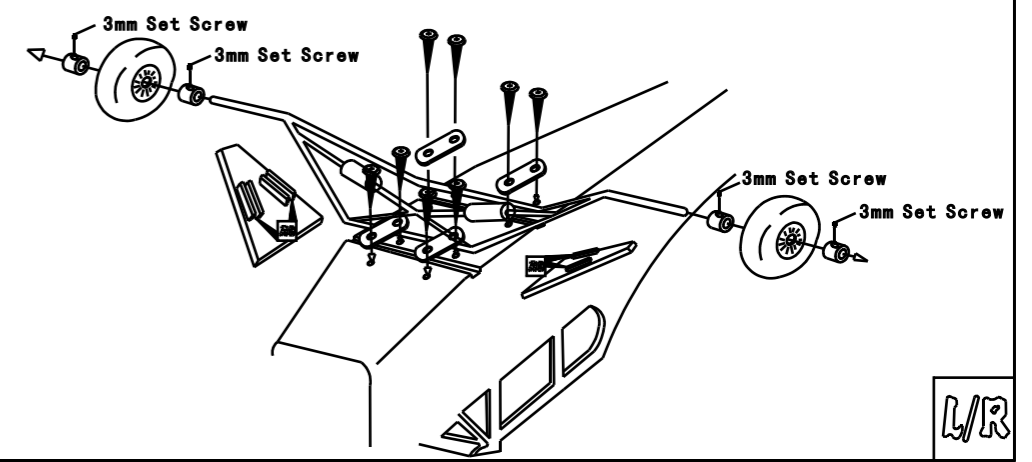
- PWA2.3 X 8mm Screw — 4



L/R

9 Landing Gear

- PA3 X 16mm Screw — 8
- 4.1mm Wheel Collar — 4



L/R