

# Mini Ventus 2.6M



Thank you very much for purchasing our product.

**Radio:** 4channels    **4servos**  
**Motor Required**    **540 motor**

## Specifications

Wing span	103.5in/2630mm
Fuselage length	44.5in/1130mm
Flying weight	1000-1100g
Wing area	28.5dm <sup>2</sup>

### **Warning! This model is not a toy.**

It is designed for maximum performance. Please seek advice if one not familiar with this kind of engine powered precision model. Operating this model without prior preparation may cause injuries. Remember, safety is the most important thing. Always keep this instruction manual at hand for quick reference.

# Mini Ventus 2.6M

## INDEX

BEFORE YOU BEGIN.....P. 1

PARTS LIST..... P. 2-P. 3

ASSEMBLY..... P. 4-P. 10

SAFETY PRECAUTIONS..... P. 10

### BEFORE YOU BEGIN

- ① Read through the manual before you begin , so you will have an overall idea of what to do.
- ② Check al prts. If you find anky defective of missing parts contact your local dealer.
- ③ Symbols used throughout this instruction manual comprise of the following:



Apply epoxy glue.



Apply instant glue  
(C. A. glue, super glue. )



Assemble left and right  
Sides the same way.



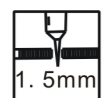
Ensure smooth non-binding  
movement while assembling.



Peel off shaded portion  
Covering film.



Cut off shaded portion.



Drill holes with the specified  
Dameter (here : 3mm)



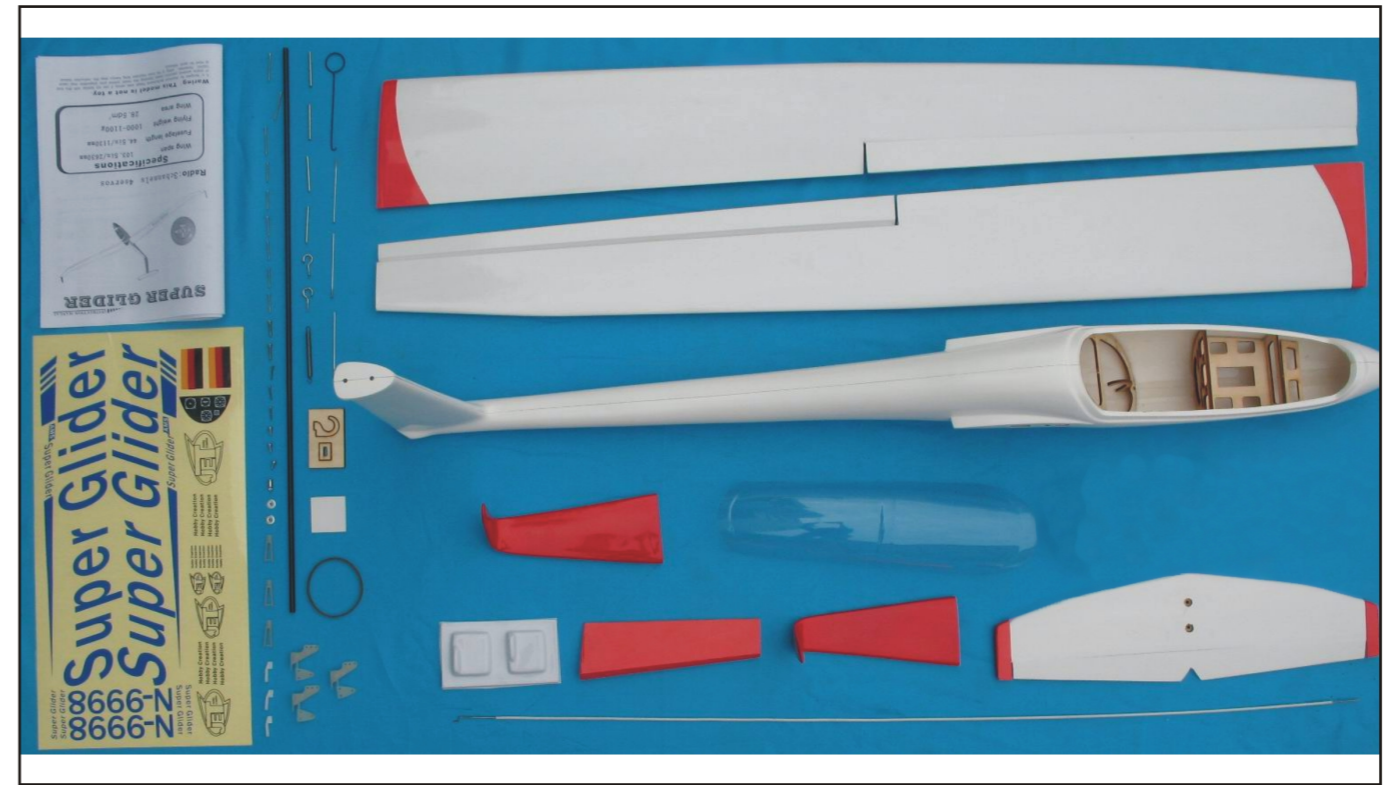
Must be purchased separately!



Pay close attention here!



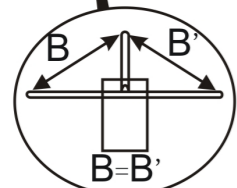
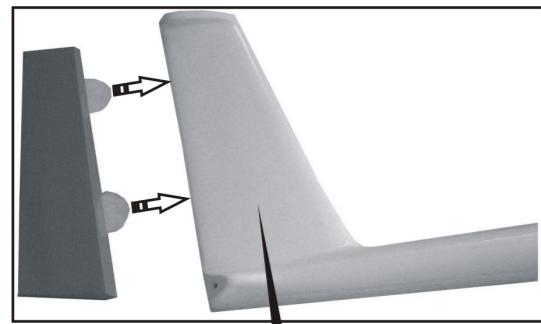
Do not overlook this symbol!



### Parts List:

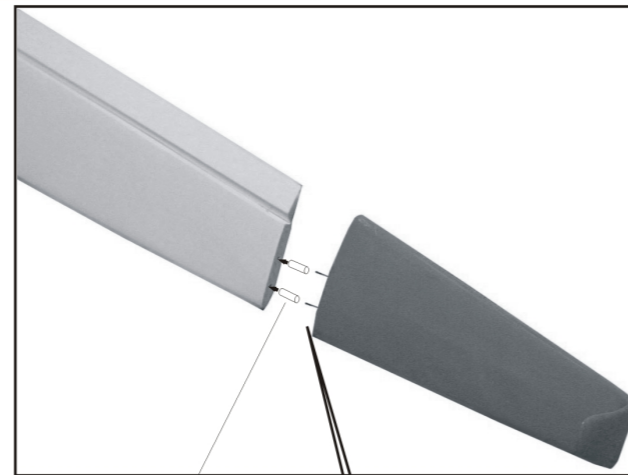
- 1.Fuselage-1pcs
2. Wing-1set
- 3.Horizontal Stabilizer-1pcs
- 4.Vertical Stabilizer-1pcs
- 5.Canopy-1pcs
- 6.Blind Nuts M3-2pcs
- 7.Wing Cap -1set
- 8.Round Head Screw PWA2.6x8 -4pcs
- 9.Round Head Screw PWA2.6x8 -4pcs
- 10.Round Head Screw PM3x15 -2pcs
- 11.Flat washer d3xD7 -2pcs
- 12.Wood  $\phi 3 \times 30$ mm-4pcs
- 13.Pin Horns-4pcs
- 14.Clevis M2-3pcs
- 15.Nylon E/Z Link-3pcs
- 16.EZ Connector  $\phi 2.1$ -1pcs
- 17.Round Head Screw PM2 $\times 20$ mm-6pcs
- 18.Round Head Screw PM2 $\times 15$ mm-3pcs
- 19.Round Head Screw PM2 $\times 30$ mm-3pcs
- 20.Wing bolt  $\phi 6 \times 612$ mm-1pcs
- 21.Wire pushrod  $\phi 1.5 \times 980$ mm-1pcs
- 22.Shrink tubing  $\phi 3 \times 900$ mm-1pcs
- 23.Wire pushrod  $\phi 1.8 \times 70$ mm-2pcs
- 24.Wire pushrod  $\phi 1.8 \times 70$ mm-1pcs
- 25.Rubber 6x90 -1pcs
- 26.Velcro tape 120mm-1set
27. Wood 20x12x6.5mm-6pcs
- 28.Ply Wood -1pcs

### 1 Gemel



Horizontal Connect

### 2 Wing Cap

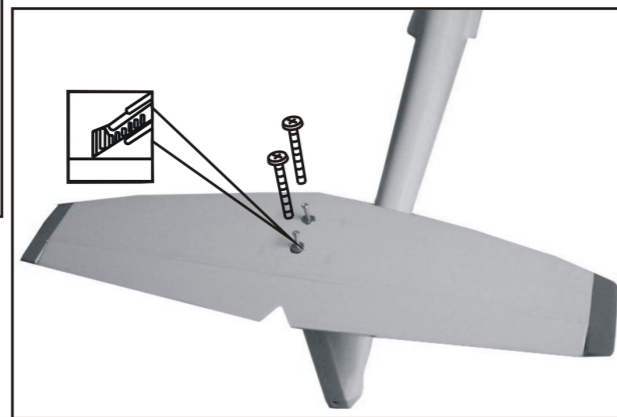
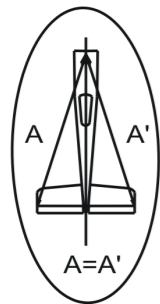


Φ3x30mm

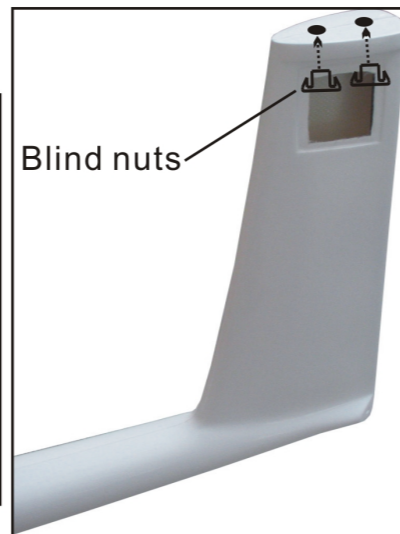


### 3 Stabilizer/elevator

- M3X15 Screw — 2
- Φ3mm Washer — 2
- Blind nuts M3 — 2

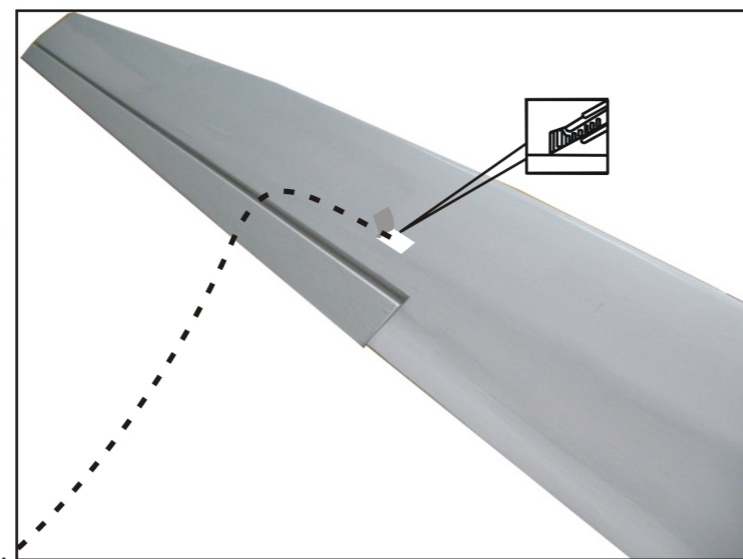
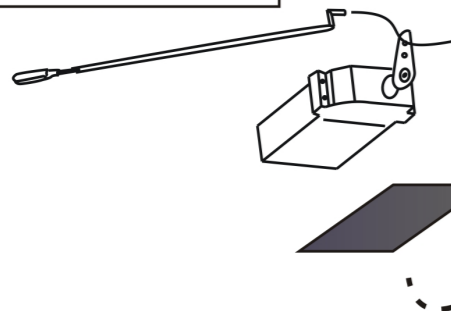


Blind nuts



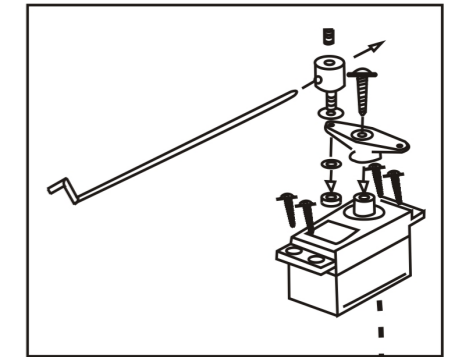
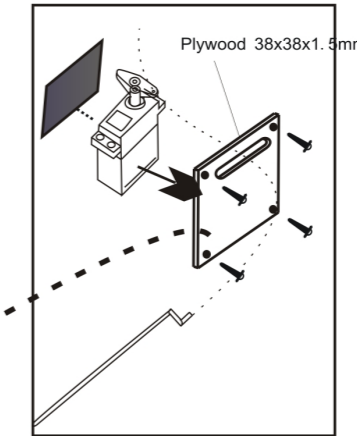
### 4 Wing/Servo

- PM2X20 Screw — 6
- Clevis — 2
- Control horns — 2



### 5 rudder/Servo

- PM2×15mm Screw — 3
- PM2×30mm Screw — 3
- Rod adjuster — 1
- Control horns — 1
- Nylon E/Z Link — 2
- 3×3 Set Screw — 1
- Linkage Connector — 1
- 2mm Collar — 1
- 2mm Washer — 1
- PWA2.6×8mm Screw — 2

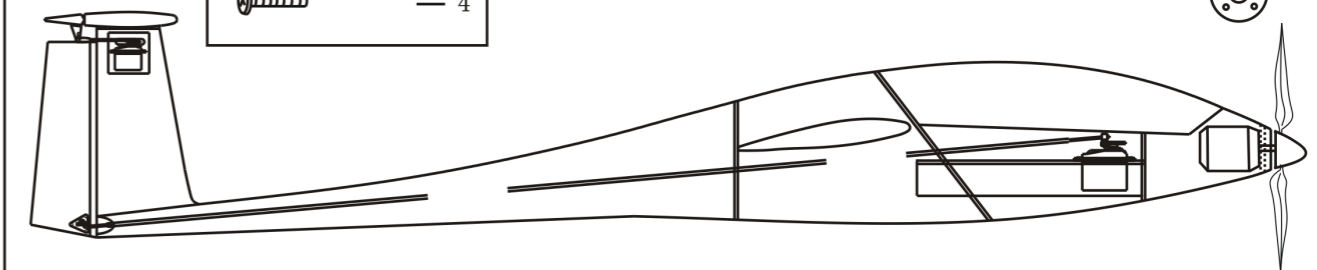
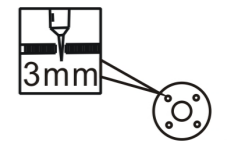


wire pushrod Φ 1.8\*70

wire pushrod Φ 1.5\*980

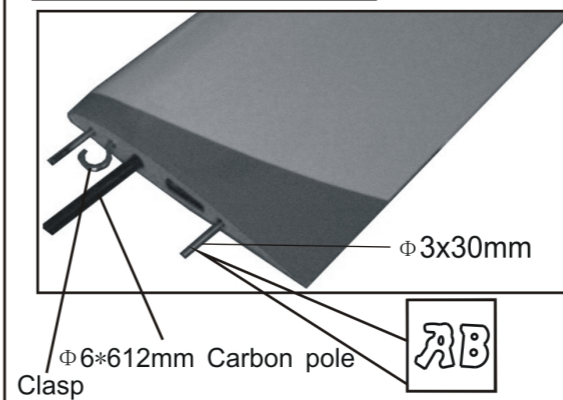
### 6 Motor Required

- PM3X6 Screw — 4

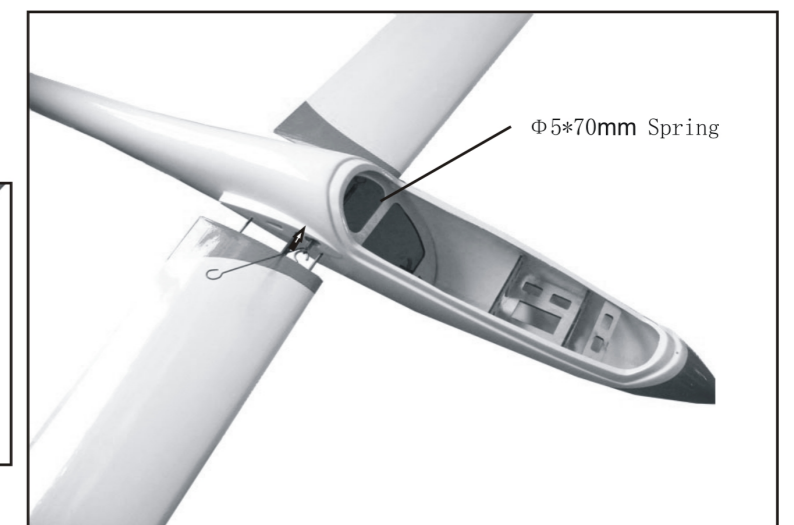


### 7 Main Wing (Lower)

- Φ5\*70mm Spring — 1
- Φ2.5mm Clasp — 2



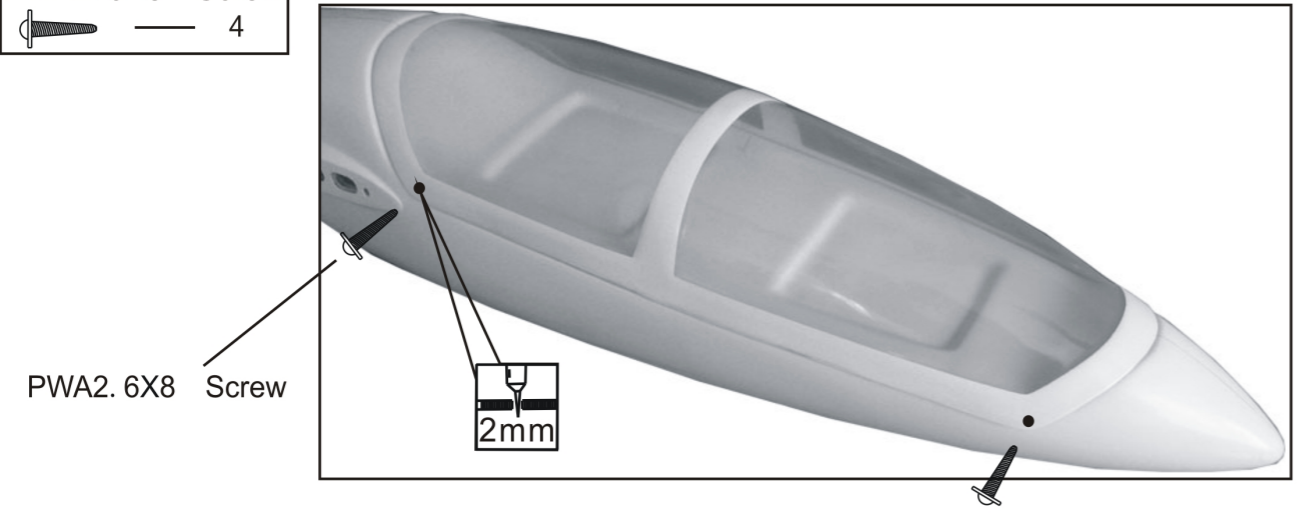
Φ6\*612mm Carbon pole Clasp



Φ5\*70mm Spring

## 8 Canopy

PWA2.6X8 Screw  
4



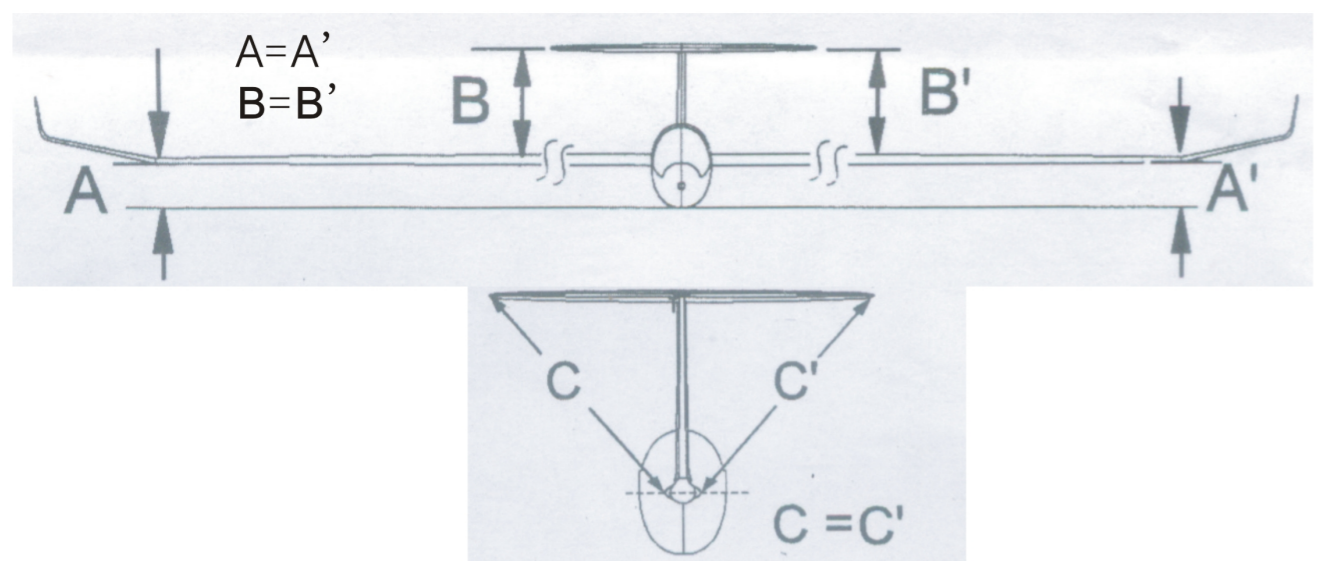
## 11 C. G

The ideal C.G. position is 46mm behind the leading edge. In order to obtain the C.G. specified, add weight to the fuselage if required. Check the C.G. before flying.



## 9 C. G Point

Adjust the wing and fuselage configuration as in the diagrams.



## ! Warning

### Important Safety Precautions

- #First time flyer should never fly by himself/herself. Assistance from experienced flyer is absolutely necessary.
- #Pre-flight adjustment must be done before flying, it is very dangerous to fly a badly pre-adjusted aircraft.
- #Katana is designed to be powered by 540 motor out brushless electric motor. Using a more powerful engine does not mean better performance. In fact, overpowered engine may cause structural damage and injuries.
- #Make sure the air field is spacious, never fly the plane too close to people and never get too close to a running propeller.
- #If you find wrinkles on the covering as a result of weather changes, you can use hot iron to remove the wrinkles. Please begin with lower temperature setting and gradually raise the temperature until the wrinkles are gone. Too hot an iron may damage the covering.
- #Check and re-tighten up all factory assembled screws, use thread locker if applicable.

## 10 Control Throws

Adjust the control throws as shown in the diagram. These throws are good for general flying. You can adjust according to your personal preference.

